

SANIPUMP® ZFS 71

PUMP FOR
WASTEWATER



WASTEWATER
All wastewater with a high total dynamic head

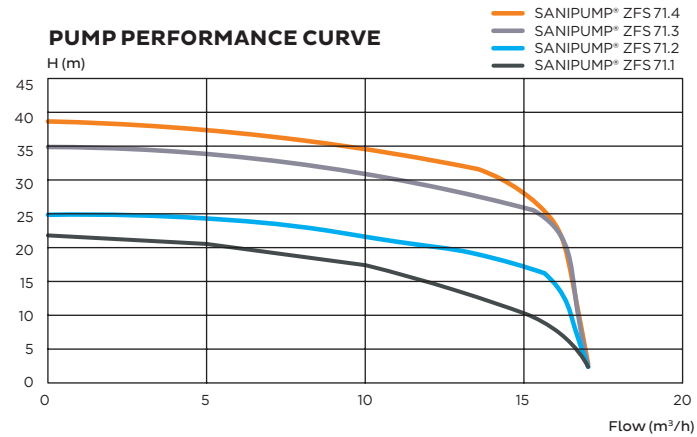
39 m
↑



ADVANTAGES

- High performance grinder system
- ATEX version
- High total height: 39 m

PUMP PERFORMANCE CURVE

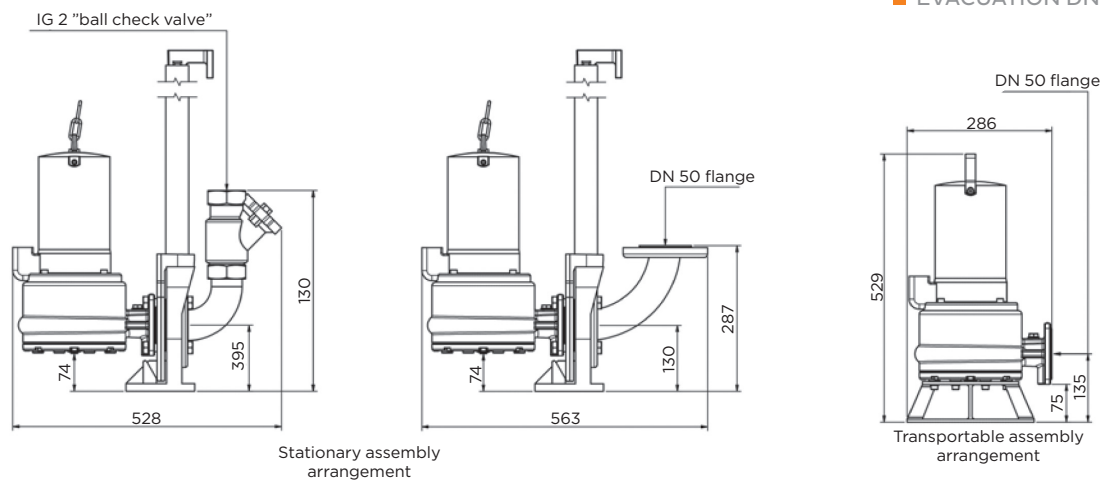


APPLICATIONS

- In case of high total dynamic head requirements
- Collective sanitary
- Establishments open to the public

FEATURES

- Submersible cast iron pump for wastewater
- Pump, motor, impeller housing, stainless steel shaft
- Double mechanical seal with oil chamber
- EVACUATION DN 50



REFERENCE	EAN	FACTORY CODE	U (V)	P1 (W)	P2 (W)	FREQUENCY (HZ)	I MAX (A)	TR/MN	IP RATING	Q MAX (M³/H)	H MAX (M)	WEIGHT (KG)
SANIPUMP ZFS 71.1 S	3 308 815 081 571	ZFS-001	230	2,200	1,600	50-60	10.5	2,800	IP 68	17	22	38
SANIPUMP ZFS 71.1 T	3 308 815 081 588	ZFS-002	400	2,100	1,700		3.7				25	
SANIPUMP ZFS 71.2 T	3 308 815 081 595	ZFS-003		3.5	25							
SANIPUMP ZFS 71.3 T	3 308 815 081 601	ZFS-004		3.5	35							
SANIPUMP ZFS 71.4 T	3 308 815 081 618	ZFS-005		6.5	39							