

APPLICATIONS



PUMPING DISTANCE

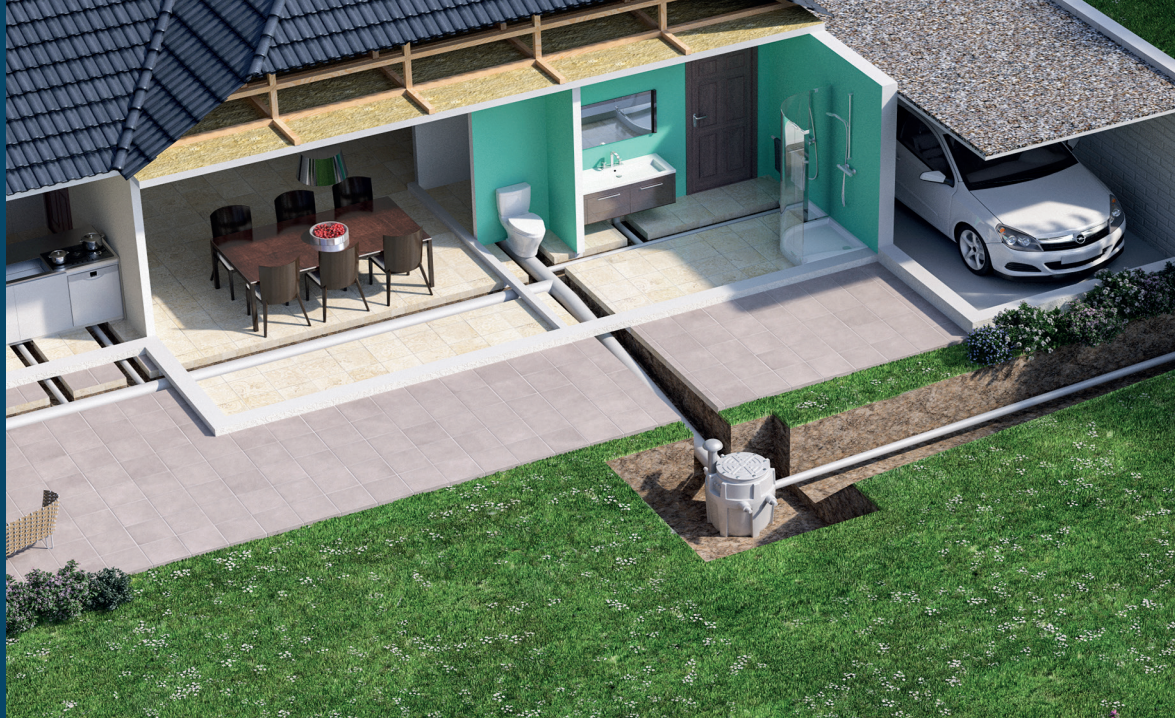
14 m



WARRANTY



SANIFOS® 110
Product Code:
 SANIFOS 110 1GR SP S
Barcode:
 EAN 3308815079318



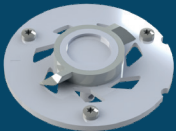
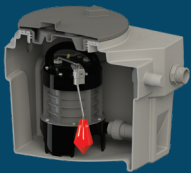
SANIFOS® 110



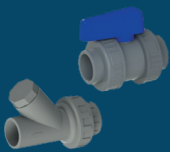
Wastewater lifting station, single-phase version.
 Less risk of clogging **due to grinder or vortex technology.**
Screw lid for easy handling.



Automatic pump operation.
Complete drainage kit available as an option.

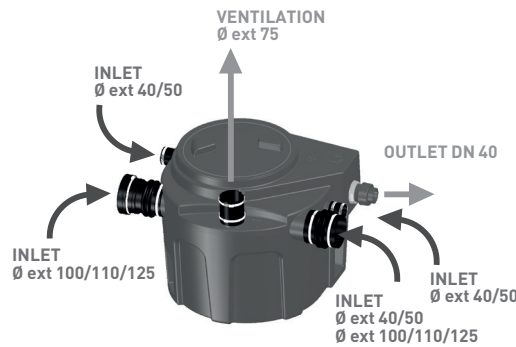


Grinder Pro X K2

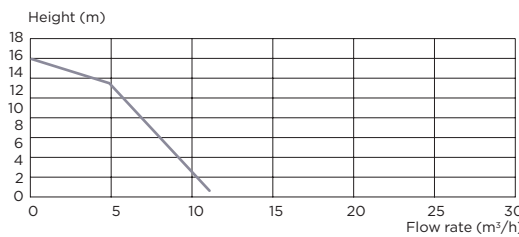


SANIFOS 110 DISCHARGE KIT
 Product Code: 6100
 Barcode:
 EAN 3308815077024

LIFTING STATION WITH 1 PUMP



PUMP CURVE



PACKAGING

- Tank with pre-assembled hydraulic and sealing gasket
- Submersible pump with float switch
- Cable clamp

TECHNICAL FEATURES

TANK	
Tank volume	110 L
Material	Polyethylene
Ø Inlet	2 inlets ø ext 100/110; 2 entries ø ext 40/50
Ø Discharge pipe	DN 40 (ext. 50 mm)
Ø Ventilation	1 x Ø ext. 75
Maximum incoming water temperature	70°C intermittently (5 mins max)
Incoming water connection	182 mm
PUMP	
Flow rate	11 m³/h
Maximum height (Q = 0 m³/h)	14 m
Max. recommended height	11 m
Activation system	Float
On/off level	320/120 mm
Voltage	220-240 / 50 Hz
Motor power	1500 W
Maximum current	6 A
Thermal overload protection	Yes
Weight of the station	23 kg