



SANINEUTRAL® Mini

SANINEUTRAL®



Easy installation: Supplied with granules included.
Fits wall and floor boilers.
Wall or floor mounting possible.

Simplified maintenance:
Cover can be removed without
disconnecting the pipes.

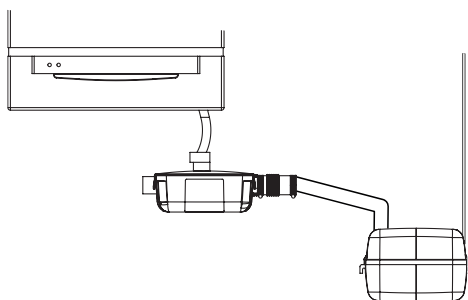


Transparency: allows visibility
of the condition of the granules.

Preserve the pipes from acid attacks.

Small unit (mini).

INSTALLATION DRAWING



TECHNICAL FEATURES

Number of possible inlets	2
Diameter of the inlet on the top (fitting supplied)	40/32/28 mm (Mini: 32/40 mm)
Inlet diameter on the side (fitting supplied)	40 mm (Mini: 32 mm)
Minimum Ph	2.5
Max power of gas boiler	50 kW (Mini: 25 kW)
Max power of oil boiler	35 kW (SANINEUTRAL only)

NEUTRALISATION GRANULES

Transparent sachet to
control the level of granules

Neutralisation granules

Ref: SACHGRANULE

The granules neutralise the
acidity of the condensates of
the boiler. Replace approximately
once a year.

Barcode : EAN 3308815011134



APPLICATIONS



Boiler

WARRANTY



SANINEUTRAL® Mini
Product Code:
1082/7

Barcode:
EAN 3308815075778

SANINEUTRAL®
Product Code:
1082/4

Barcode:
EAN 3308815060927

