

## APPLICATIONS

Wall-hung  
WC

Basin



Bidet



Shower

## PUMPING DISTANCE



## WARRANTY



Product Code:

6052

Barcode:

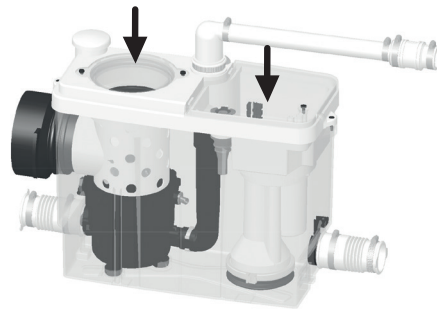
EAN 3308815074078



## SANIPACK® Pro UP

The **macerator can be hidden from view.****Easy maintenance with**  
double access to the product.**Small unit** for discreet installation behind a  
partition or in furniture.**Low noise level:**  
47dB(A). 

## DOUBLE ACCESS TO THE PRODUCT



- ➔ Direct access to the basket in case of blockage due to improper use of the device
- ➔ Direct access to the electrics should any parts need maintenance or repair

## TECHNICAL FEATURES

Number of inlets available	3
Ø inlet	40 mm
Ø discharge pipework	22/28/32 mm
Motor power	400W
Voltage	220-240 V/50 Hz
Electrical class	Single phase
IP rating	IP44
Shower tray height	15 cm
Sound level	47dB(A)
Installation in relation to the WC bowl	Max. 50 cm
Weight	7 kg

## PACKAGING

SANIPACK® Pro UP

Non-return valve

Connectors

Activated carbon filter included, to neutralise odours

## PUMP CURVE

