

NEW 2020
 AVAILABLE WITH UNIVERSAL SELF-SUPPORTING FRAME AND THERMOFORMED COVER

Wall-hung toilet with a built-in macerator. With its modern design and economical flush system, Sanicompact Comfort will fit into any bathroom.



3 m
 ↗ 30 m



SANICOMPACT® Comfort



Allows a wash basin connection

Wash basin connection diameter 40 mm

Recommended waste pipe diameter 32 mm

Electrical power supply 220-240 V / 50-60 Hz

Motor power rating 550 W

Weight 32 kg

Dual flush system 1.8 L / 3 L

Quiet

Bowl with anti-limescale coating

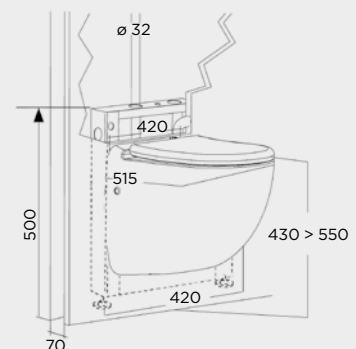
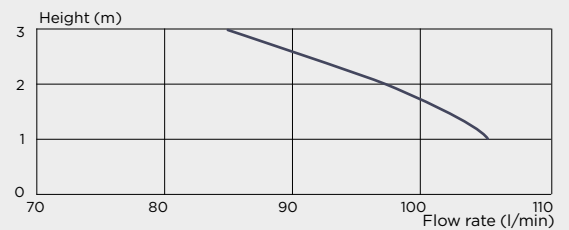
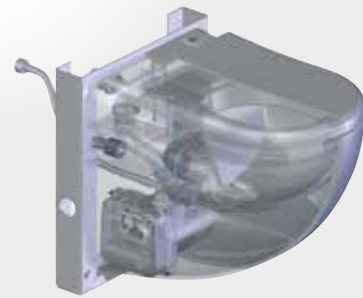
Soft closing toilet seat supplied

Non-return valve included

Fixing kit included

VERTICAL AND HORIZONTAL DISCHARGE:

↑ 3 m → 30 m



BENEFITS

- A WC with a built-in macerator
- Needs no cistern, integrates flushing system
- Features a soft-close toilet seat