

9011
10.19

SFA

SANICUBIC® SC

SANICUBIC® 1 SC



SANICUBIC® 2 SC



Sewage Lifting Units

Operating instructions



Abwasserhebeanlagen

Betriebsanleitung



Station de relevage des eaux usées

Mode d'emploi



Stazione di pompaggio acque reflue

Istruzioni per l'uso



Afvalwater Opvoerinstallaties

Gebruikshandleiding



Equipos elevadores de aguas residuales

Manual de instrucciones



Unidades elevatórias de águas residuais

Manual de instruções

English	3
Deutsch	17
Français	31
Italiano	45
Nederlands	59
Español	73
Português	87

CONTENTS

1. SAFETY	pg.4
1.1 Labelling of instructions in the operating instructions	pg.4
1.2 Qualification and training of staff	pg.5
1.3 Hazards caused by non-observance of the safety instructions	pg.5
1.4 Safety-conscious work.....	pg.5
1.5 Safety instructions for user / operator	pg.5
1.6 Safety instructions for maintenance, inspection and installation work.....	pg.5
1.7 Unauthorised modification and spare parts production	pg.6
1.8 Impermissible operating modes.....	pg.6
2. GENERAL ASPECTS	pg.6
2.1 Affiliation	pg.6
2.2 Inquiries and purchase orders	pg.6
2.3 Technical data	pg.6
2.4 Field of application	pg.7
2.5 Accessories	pg.8
3. TRANSPORT AND INTERMEDIATE WAREHOUSING	pg.8
3.1 Transport.....	pg.8
3.2 Intermediate warehousing / conservation	pg.8
4. DESCRIPTION	pg.8
4.1 General aspects.....	pg.8
4.2 Design and functionality.....	pg.8
5. INSTALLATION	pg.8
5.1 Preparation	pg.8
5.2 Installation.....	pg.9
6. COMMISSIONING	pg.10
7. MAINTENANCE / SERVICING	pg.10
7.1 Inspection and maintenance intervals	pg.10
7.2 Maintenance work	pg.11
8. MALFUNCTIONS, CAUSES AND TROUBLESHOOTING	pg.11
9. WARRANTY	pg.12
10. TECHNICAL CHANGES	pg.12
Appendix A: Assembly example	pg.13
Appendix B: Dimensions.....	pg.14
Appendix C: Section drawing and spare parts list	pg.15

1. SAFETY

WARNING

This device can be used by children who are at least 8 years old and by people with reduced physical, sensory or mental capacities or those without knowledge or experience, if they are properly supervised or if they have been given instructions on safely using the device and the associated risks have been understood. Children should not play with the device. Children should not clean or perform maintenance on the device without supervision.

ELECTRICAL CONNECTIONS:

The electrical installation must be done by a qualified electrical engineer. The device's power supply must be connected to ground (class I) and protected by a high sensitivity differential circuit breaker (30 mA). Devices without plugs must be connected to a main switch on the power supply which disconnects all poles (contact separation distance of at least 3 mm). The connection must be used exclusively to provide the power to the product.

If the power cord is damaged, to prevent possible danger, it must be replaced by the manufacturer, customer service team or a similarly qualified individual.

These operating instructions contain basic instructions which have to be observed during set-up, operation and maintenance. For this reason, these operating instructions must by all means be read before installation and commissioning by the installation technician as well as by the competent specialist staff / user, and must be permanently available at the location of the device.

Not only the general safety instructions mentioned in this main point on safety have to be observed, but also the special safety instructions mentioned in the other main points, for example for private use.

1.1 Labelling of instructions in the operating instructions



Danger

This term defines a high risk of danger, which can lead to death or serious injury, if not avoided.



Dangerous area

This symbol characterises hazards that could lead to death or injury.



Dangerous voltage

This symbol characterises dangers associated with the voltage and provides information on voltage protection.



Property damage

This symbol, in combination with the keyword **ATTENTION**, characterises dangers to the machine and its proper operation.

It is imperative to observe signs that are attached directly to the machine (for example,

rotational direction arrow, sign for fluid connections) and must be kept fully legible.

1.2 Personnel qualifications and training

The staff for operation, maintenance, inspection and installation must have the corresponding qualification for this work. For this reason, the area of responsibility, the competency and the supervision of the staff has to be precisely defined by the company. If the staff does not have the necessary knowledge, then they must be trained and instructed. If and when necessary, this may be carried out by the manufacturer / supplier of the pump on behalf of the pump operator. Moreover, the operator has to ensure that the content of the operating instructions is understood completely by the staff.

1.3 Hazards caused by non-observance of the safety instructions

The non-observation of the safety instructions may endanger persons as well as the environment, and may have consequences for the environment and machine. The non-observation of the safety instructions will result in the loss of all claims for damages.

In detail, the non-observation may cause the following hazards, for example:

- Failure of important machine/system functions
- Failure of prescribed methods for maintenance and repairs
- Danger to persons through electrical, mechanical and chemical hazards
- Danger to the environment through leakage of harmful substances

1.4 Safety-conscious work

The safety instructions mentioned in these operating instructions, the existing national regulations on accident prevention as well as potential in-company work, operating and safety instructions of the user must be observed.

1.5 Safety instructions for user/operator

- If hot or cold machine parts could lead to hazards, these parts have to be protected against touch by the user.
- Touch protection for moving parts (e.g. coupling) must not be removed from the machine being in operation.
- Leakage (of the shaft seal, for example) of hazardous material conveyed (e.g. explosive, toxic, hot) must be removed in such a way that no danger is caused to persons and the environment. Legal regulations have to be observed.
- Hazards caused by electric energy must be excluded (for details here, please refer to the country-specific regulations and the regulations of the local energy supply companies.

1.6 Safety instructions for maintenance, inspection and assembly work

The user has to make sure that all maintenance, inspection and installation work is carried out by authorised and qualified specialist personnel only, who has sufficiently been informed by studying the operating instructions.

Basically, work on the machine may be carried out only at standstill. The procedure to shut down the machine described in the operating instructions must be observed at all times.

Pumps or pump assemblies, which convey media hazardous to health, must be decontaminated. Immediately after completing the work, all safety and protection devices have to be fitted again and/or have to be made functional again.

Before recommissioning, the points listed in the chapter on initial commissioning have to be observed.

1.7 Unauthorised modification and spare parts production

Modifications or changes to the machine shall be permissible only after consultation with the manufacturer. Original spare parts and accessories authorised by the manufacturer serve to ensure safety. The use of other parts may result in the loss of liability for the consequences that may occur.

1.8 Impermissible operating modes

The operational safety of the machine supplied is ensured only when used as intended according to Section 2-*General aspects* of the operating instructions. The threshold values indicated in the data sheet must by no means be exceeded.

2. GENERAL ASPECTS

2.1 Affiliation

These operating instructions are valid for the sewage lifting units of the SANICUBIC® SC series.

In case of non-observation to the operating instructions - in particular the safety instructions - as well as unauthorised modification of the device or the installation of non-original spare parts the warranty claims will automatically become void. The manufacturer assumes no liability for any damage resulting from this!

As any other electrical appliance, this product can also fail due to missing main power or a technical defect. If a damage can occur as a result, an emergency power generator, a manual membrane pump, a second system (double system) and/or a mains-independent alarm system should be planned according to the application. We as manufacturers will be happy to advise you also after the purchase. In case of defects or damages, please get in touch with your dealer.

Products in the range :

SANICUBIC® 1 SC3.0 T	SANICUBIC® 2 SC3.0 T
SANICUBIC® 1 SC4.0 T	SANICUBIC® 2 SC4.0 T
SANICUBIC® 1 SC5.5 T	SANICUBIC® 2 SC5.5 T
SANICUBIC® 1 SC7.5 T	SANICUBIC® 2 SC7.5 T

2.2 Inquiries and purchase orders

Please send your inquiries and orders to your specialist dealer.

2.3 Technical data

Single systems:

Type	Input Power P1 [kW]	Nominal Power P2 [kW]	Voltage U [V]	Rated current I _{MAX} [A]	Speed (50 Hz) [min ⁻¹]	Feed volume [m ³ /h]	Pumping head [m]	Pressure connection
SANICUBIC® 1 SC3.0 T	4.0	3.0	400	6.9	1400	130	10	DN 100
SANICUBIC® 1 SC4.0 T	5.5	4.0	400	11.2	1400	140	13	DN 100
SANICUBIC® 1 SC5.5 T	6.3	5.5	400	12.1	1400	160	18	DN 100
SANICUBIC® 1 SC7.5 T	8.7	7.5	400	16.9	1400	165	22	DN 100

Type	Gross volume [l]	Switching volume [l]	Inlet connection	Free passage [mm]	Weight [kg]	Dimensions [mm]	Minimum space requirement [m]
SANICUBIC® 1 SC3.0 T	480	270	DN 150	80	210	Ø1000	2x1.5
SANICUBIC® 1 SC4.0 T	480	270	DN 150	80	220	Ø1000	2x1.5
SANICUBIC® 1 SC5.5 T	480	270	DN 150	100	225	Ø1000	2x1.5
SANICUBIC® 1 SC7.5 T	480	270	DN 150	100	240	Ø1000	2x1.5

Maximum media temperature: 55°C

Double systems:

Type	Input Power P1 [kW]	Nominal Power P2 [kW]	Voltage U [V]	Rated current I _{MAX} [A]	Speed (50 Hz) [min ⁻¹]	Feed volume [m ³ /h]	Pumping head [m]	Pressure connection
SANICUBIC® 2 SC3.0 T	4.0	3.0	400	6.9	1400	120	10	DN 100
SANICUBIC® 2 SC4.0 T	5.5	4.0	400	11.2	1400	140	13	DN 100
SANICUBIC® 2 SC5.5 T	6.3	5.5	400	12.1	1400	160	18	DN 100
SANICUBIC® 2 SC7.5 T	8.7	7.5	400	16.9	1400	165	22	DN 100

Type	Gross volume [l]	Switching volume [l]	Inlet connection	Free passage [mm]	Weight [kg]	Dimensions [mm]	Minimum space requirement [m]
SANICUBIC® 2 SC3.0 T	1000	500	DN 150	80	370	1450x950	2.5x1.5
SANICUBIC® 2 SC4.0 T	1000	500	DN 150	80	385	1450x950	2.5x1.5
SANICUBIC® 2 SC5.5 T	1000	500	DN 150	100	400	1450x950	2.5x1.5
SANICUBIC® 1 SC7.5 T	1000	500	DN 150	100	425	1450x950	2.5x1.5

Maximum media temperature: 55°C

Materials

Shaft sealing	Motor side	Shaft seal						
	Pump-side	up to 4 kW mechanical seal, from 5.5 kW chilled casting seal						
Tank	PE HD	<table border="1"> <tbody> <tr> <td>Pump housing</td> <td>Cast iron</td> </tr> <tr> <td>Sealing materials</td> <td>NBR</td> </tr> <tr> <td>Impeller nut</td> <td>Stainless steel</td> </tr> </tbody> </table>	Pump housing	Cast iron	Sealing materials	NBR	Impeller nut	Stainless steel
Pump housing	Cast iron							
Sealing materials	NBR							
Impeller nut	Stainless steel							
Seel carrier	Cast iron							
Impeller	Cast iron							
Screws	Steel, galvanized							

2.4 Field of application

The sewage lifting units of the series SANICUBIC® SC serve to dispose of (collecting and conveying) domestic and industrial dirt water and wastewater, which occur below the sewer backwater level. Double systems are used everywhere, where an interruption of the sewage disposal must not occur according to DIN 1986.

The sewage lifting units of the series SANICUBIC® SC must not be used to convey waste waters containing substances which attack or damage the materials of the pump or of the collecting tank.

Operating Limits :

- **The lifting unit is not designed for continuous operation! The conveying data stated on the factory plate apply only for intermittent periodic duty (S3 25 %).**
- **The maximum permissible feed flow must always be smaller than the feed volume of a pump (see type plate).**

2.5 Accessories

The sewage lifting units of series SANICUBIC® SC are delivered with:

- Level control and switch box

3. TRANSPORT AND INTERIM STORAGE

3.1 Transport

The sewage lifting units of the series SANICUBIC® SC must not be thrown or dropped. Moreover, they shall be kept horizontally during transport.

3.2 Intermediate warehousing/conservation

For intermediate warehousing and conservation, it is sufficient to store the plant at a cool, dark, dry and frost-proof place. The units should stand horizontally.

4. DESCRIPTION

4.1 General aspects

The sewage lifting units of the series SANICUBIC® SC are delivered ready to use, fully flood-proof single or double systems with gas and odour-proof plastic collecting tank. They operate with vertical waste water pumps without blockage and automatic level control. They are equipped completely with a switch box and all necessary switching elements.

4.2 Design and functionality

Due to an inlet DN 150 (flange connection), the waste water (natural gradient) flows into the collecting tank of the sewage lifting unit SANICUBIC® SC. The collecting tank is designed for **pressureless operation**, that is the occurring waste water is buffered without pressure and then conveyed into the sewage channel.

In the dip tube that is screwed on the upper side of the tank, the water rises and keeps compressing the air being in the dip tube so long until the pressure operates the dip tube switch in the switch box. As a result, the pump is switched on and conveys the water from the tank via the pressure line into the higher channel. With the lifting unit SANICUBIC® 2 SC, the switch box contains a toggle switch which causes the pumps to turn on alternately. Only in overload operation (one pump cannot managed the inflowing amount of water), the second pump will turn on the second pump.

A check valve in the pressure line (to be provided acc. to DIN 19 760) prevents the water from flowing back out of the pressure line into the tank.

The units are equipped with a potential-free contacts to which alarm equipment (bell, horn, buzzer et cetera) can be connected.

In the switch box, a motor protection relay is located upstream the motor which automatically switches off the motor in case of overload (too high power consumption).

5. INSTALLATION

5.1 Preparations

- Trouble-free operation of the lifting unit depends not least on a correct and impeccable assembly. For this reason, the following points must be observed:

- The installation location should be a well-ventilated, dry and frost-free room.
- The installation site must be amply dimensioned. The room height should be approx. 2 to 2.5 m. According to DIN 1986, Part 3, the following applies: "All plant components... (and)... all operating elements... must be safely accessible at any time and possible to be operated without any problems. ...These plant components must not be obstructed by stored goods, furniture, coverings or similar items...".
- The foundation of the installation room must be designed to meet potentially occurring loads depending on the size of the plant.
- In rooms which often lie lower, ground water or seepage water often accumulates. That is why in one corner of the room, there should be a small tank, where these liquids can accumulate and can be disposed of using a cellar drainage pump.
- A ceiling hook above the installation site of the lifting unit facilitates the assembly as well as potential maintenance and repair work on the pump.
- Before starting installation, all structural and line measurements should be checked and compared with the dimensions of the unit. While doing so, it has to be particularly made sure that the constantly declining inlet line does not lie lower than the inlet height of the collecting tank.

5.2 Assembly

During installation, it is absolutely necessary to ensure a stress-free and tight installation of the pipelines and fittings.

5.2.1 Setting up

The sewage lifting units of the series SANICUBIC® SC are aligned at the installation site according to potentially existing pipelines. Here, they are set up exactly horizontal.

"The sewage lifting unit has to be secured by means of suitable attachment equipment on site against twisting and buoyant floating!"

5.2.2 Inlet

The inlet line is connected to the flange DN 150. It must always be installed on a downhill incline. Uphill sections in the inlet are not permitted.

5.2.3 Discharge line

Installation of a non-return valve in the discharge line of the lifting unit must always be installed:

DIN 19 760, Part 3: "Following interruption of the pump delivery, a backflow preventer must automatically impede the backflow of the waste water from the pressure line. When the pump starts delivering, the backflow preventer must automatically open..."

It is recommended to install a shut-off valve behind the non-return valve in order to facilitate cleaning or potential replacement of the non-return valve.

The discharge line must be installed constantly rising and without unnecessary leaps in an arc beyond the flood level and then constantly descending toward the sewer connections. Pipelines and fittings must, where necessary, be supported using pipe clamps or brackets.

5.2.4 Ventilation

The tank ventilation (flange DN 100) is installed either directly to the venting line of the building or guided separately above the roof.

5.2.5 Electrical Connection

Safety precautions :

- All electrical systems used must comply with the standard IEC 364 / VDE 0100, that is sockets, for example, must have earth terminals.
- The electrical connection may be carried out by an electrically qualified person! The pertinent VDE regulation 0100 must be observed!
- The electrical network, to which the plant is connected, must have been fitted with a highly sensitive FI protected switch IA <30 mA before the control, or to prevent a failure of the control when the FI protected switch trips, one FI protected switch per pump has to be installed between the control and

pump. For installations in bathrooms and showers, the corresponding regulations of DIN VDE 0100 Part 701 have to be observed.

- **Please observe the regulations of EN 12 056-4.**
- **For AC power connection, external protection has to be carried out with circuit breakers of characteristic K, generally 3-pole mechanically locked. In this way, complete supply isolation is ensured and 2-phase run excluded.**
- **In dry rooms, all electrical devices such as controls, alarm transmitters and sockets must be installed flood-proof.**
- **Attention! Before every installation and disassembly of the pump or other work on the plant, it must be disconnected from the mains supply.**
- **The motor can overheat due to overload. In case of overheating, never touch the hot surfaces on the motor.**
- **When using an extension cable, it must meet the quality of the supplied connecting cable.**

The switchbox is fastened to the wall, and the electrical connecting cables are connected according to the circuit diagram. While doing so, it has to be seen to it that the electrical system complies with the applicable VDE guidelines.

The circuit diagram for the wiring of the lifting unit is in the switchbox and should be left there in order to facilitate the work of the maintenance and customer service personnel.

6. COMMISSIONING

Before commissioning, all connections should be checked again for correct installation. The shut-off valve must be open.

Now the plug is put into the socket and the pump's direction of rotation checked. This is done by briefly setting the manual/0/automatic switch to "Manual". When the motor comes to a standstill, the direction of rotation can be compared with the correct direction of rotation (rotation arrow) on the top surface at the sight glass. If the pump rotates the wrong way round, two of the three phases will have to be interchanged.

 **DANGER**



All power supplies must be disconnected !

Now the manual/0/automatic switch is set to "Automatic" and a test run is carried out. For this purpose, the collecting tank is filled via the normal inlet (washbasin, toilet et cetera). The plant must automatically switch on, pump the tank empty and switch off again. After switching off, no water may flow from the pressure line back into the tank, and the pitot tube in the tank must have fully emerged out of the water. If this is not the case, the run-on time will have to be extended.

During the test run all lines and fitting are checked again for tightness and newly caulked.

If the lifting unit works properly, the switch will keep being in "Automatic" position.

7. MAINTENANCE / SERVICING

7.1 Inspection and maintenance intervals

Inspection and maintenance intervals according to DIN 1986 (German standard) Part 31: "Effluent lifting installations should be checked once a month by the customer by monitoring one switching cycle for operational capability and leakage...The system is to be serviced by a specialist. Inspection and maintenance intervals should be no longer than :

- 3 months for systems in commercial operations
- 6 months for collective dwelling
- 1 year for individual housing"

7.2 Maintenance work

 **DANGER**



All power supplies must be disconnected !

7.2.1 Collecting tank

Open the inspection cover and flush the tank by means of using a hose in order to loosen dirt deposits on the tank walls.

7.2.2 Non-return valve

Open the inspection cover and clean the interior of the non-return valve.

7.2.3 Miscellaneous

All further maintenance works must be carried out by qualified service personnel.

8. MALFUNCTIONS, CAUSES AND TROUBLESHOOTING

 **DANGER**



All power supplies must be disconnected !

ATTENTION



To dismantle the motor unit from the tank, the 4 hexagon screws (Item 16 of the spare parts list) must not be loosened, because otherwise the mechanical seal is destroyed, oil escapes and the warranty will become void! If only the motor unit shall be dismantled, all 4 screws (Item 13 of the spare parts list) have to be loosened. If the complete pump shall be dismantled from the tank, all 4 nuts (item 23 of the spare parts list) must be loosened.

Malfunction	Cause	Troubleshooting
1. Motor does not rotate	<ul style="list-style-type: none">- Too low voltage, voltage missing- Incorrect power connection- Power cable defective- Impeller blocked- Motor protection switched off due to overheating, blockage, voltage error- Controlling error- Motor defective	<ul style="list-style-type: none">- Check voltage supply- Correction- Replacement / customer service- Clean- Check / customer service- Check / customer service- Replacement / customer service

Malfunction	Cause	Troubleshooting
2. Motor rotates, but does not convey	<ul style="list-style-type: none"> - Impeller clogged or worn - Check valve clogged - Shut-off valve clogged or closed - Pressure line clogged - Intake socket clogged - Direction of rotation incorrect - Water shortage in the tank - Tank ventilation clogged - Pump housing ventilation clogged 	<ul style="list-style-type: none"> - Clean/replace - Clean - Clean/open - Clean - Clean - Correction - Switch off/ Customer service - Clean - Clean
3. Motor runs, but switches off	<ul style="list-style-type: none"> - Voltage wrong, or fluctuates - Thermal protection incorrectly designed - Power consumption too high 	<ul style="list-style-type: none"> - Correction/Customer service - Check/Customer service - Customer service
4. Motor does not switch off	<ul style="list-style-type: none"> - Controlling error - Pitot tube clogged 	<ul style="list-style-type: none"> - Customer service department - Replacement/ Customer service department

9. WARRANTY

As manufacturer, we assume a warranty for this device for 24 months as of purchase date.

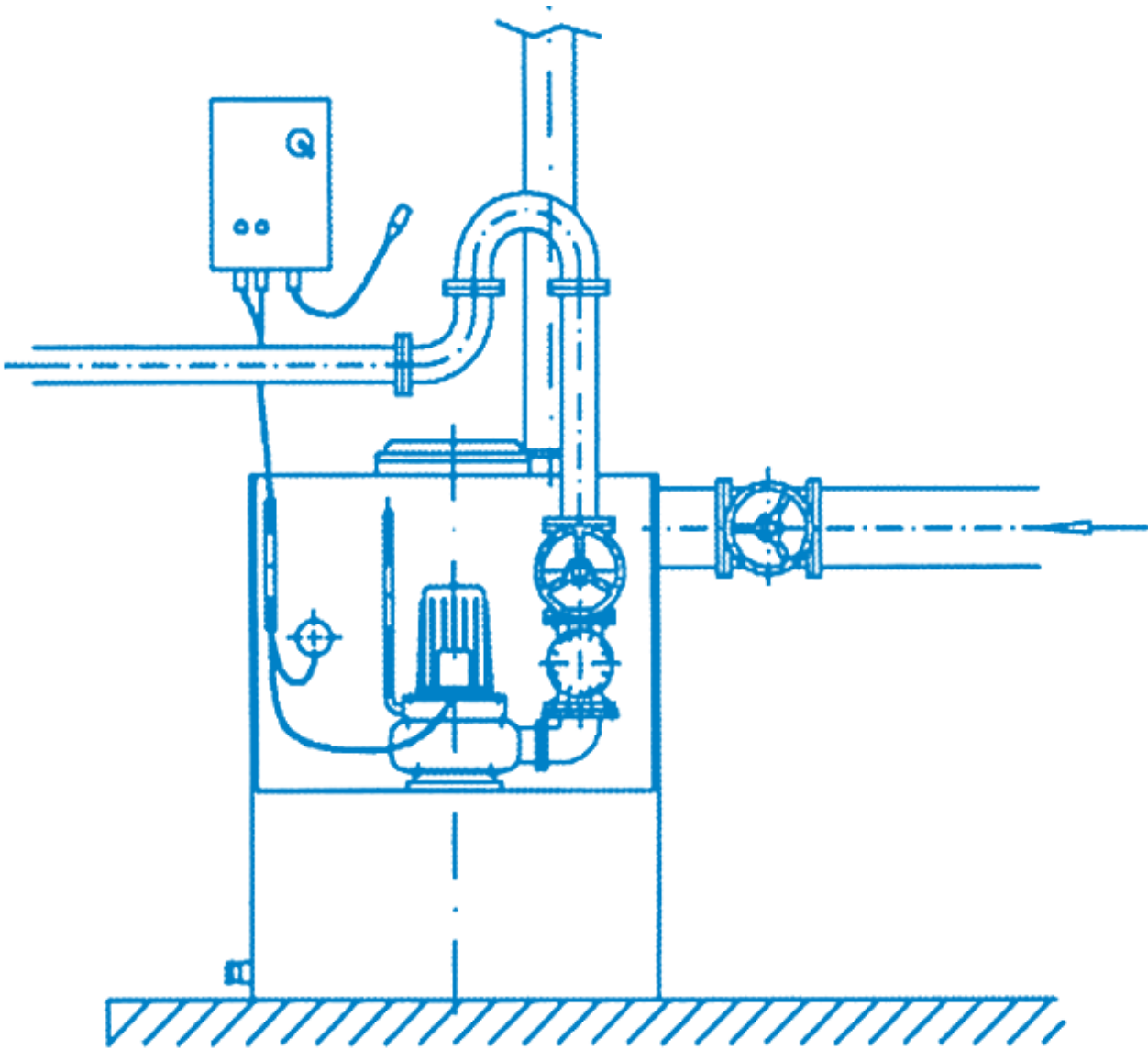
The sales receipt is considered as proof of warranty. Within this warranty period, we will at our discretion, either by means of repair or replacement, correct free of charge all defects due to material or manufacturing defects of the unit.

The warranty excludes all damage attributable to improper use or wear and tear. We do not assume any liability for consequential damages which occur due to a failure of the device.

10. TECHNICAL MODIFICATIONS

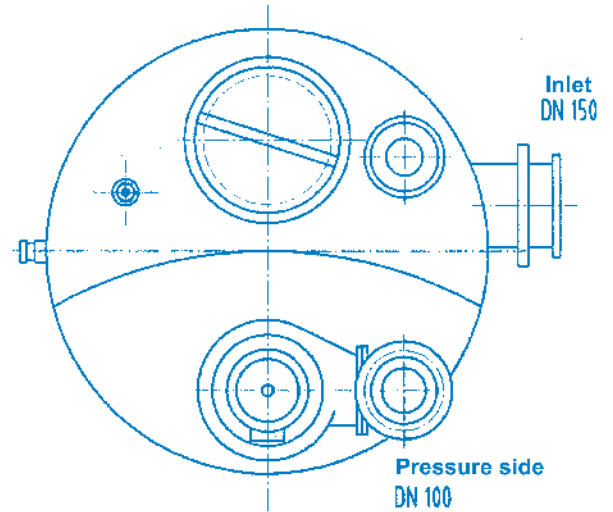
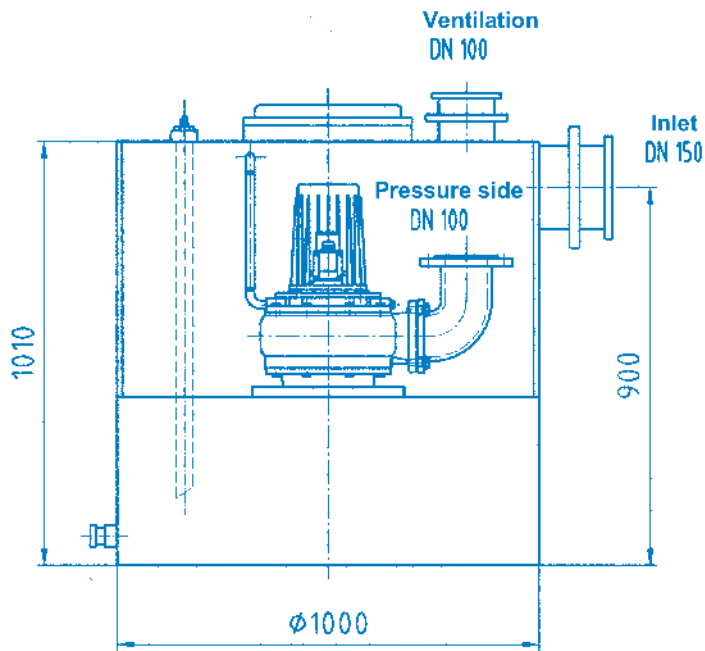
We reserve the right to make technical changes in terms of progress.

Appendix A : Assembly example

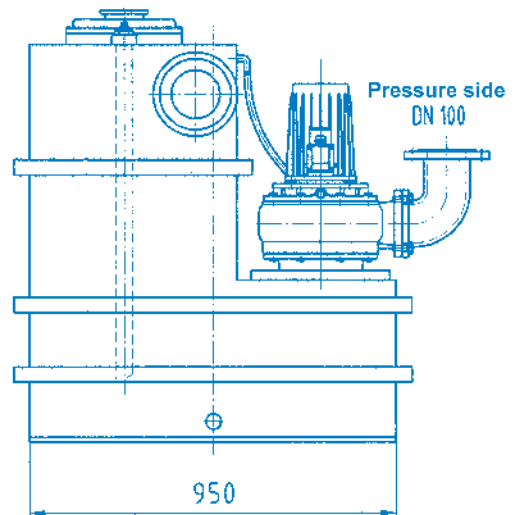
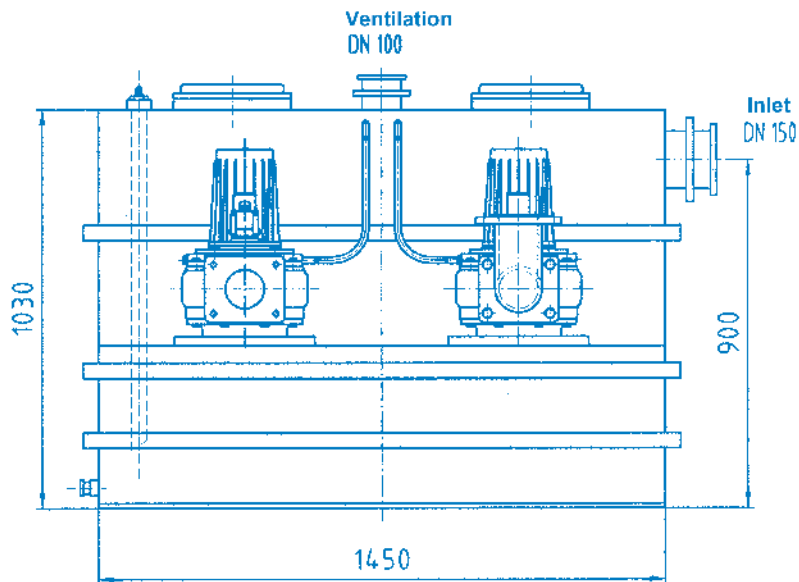


Appendix B : Dimensions

SANICUBIC® 1 SC

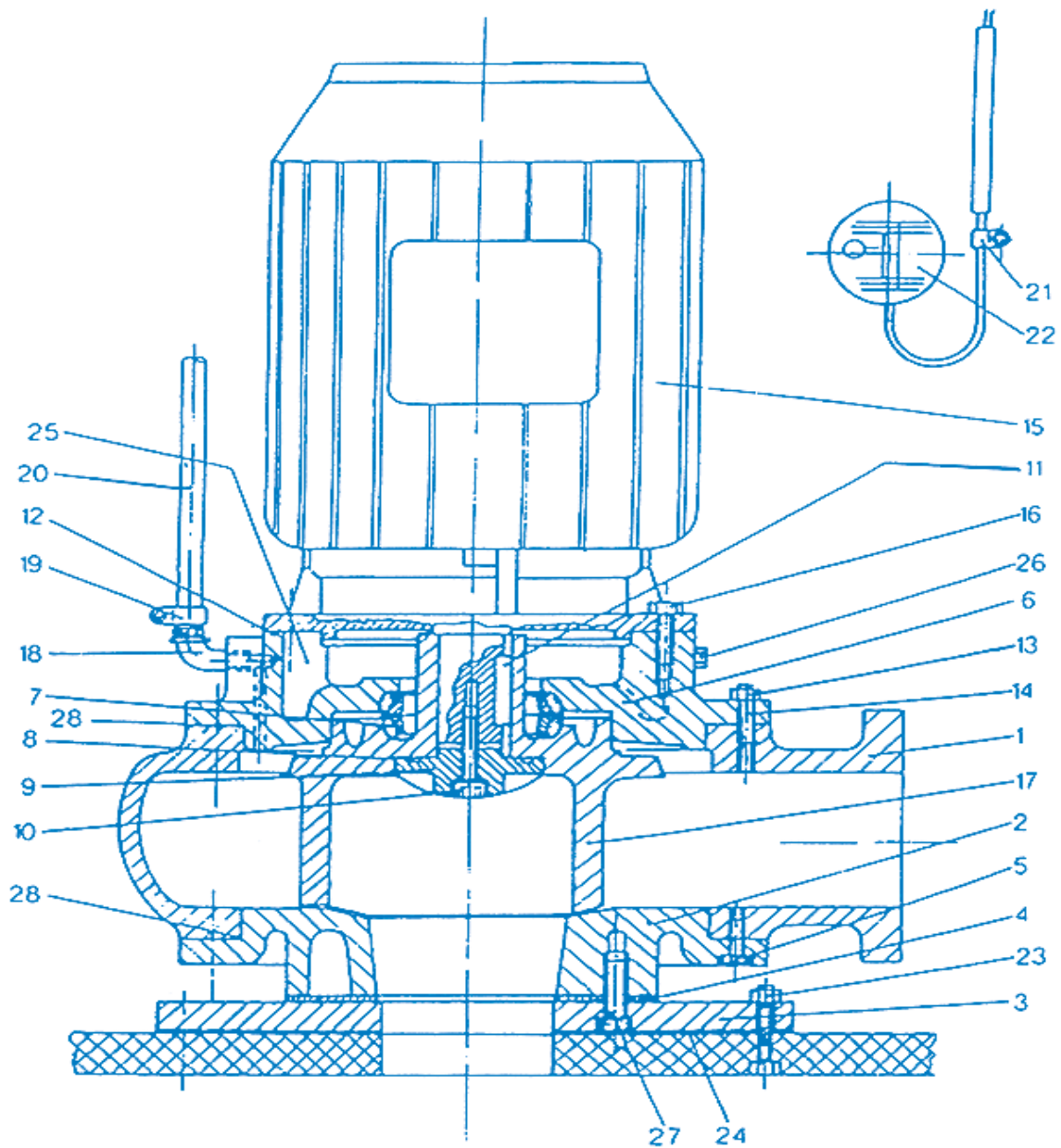


SANICUBIC® 2 SC



Appendix C: Sectional drawing and spare parts list

Sectional drawing



Spare parts list

Switchgears:

Quantity	Designation	Article No.
1	Switchgear ZPS1 (3.0/4.0/5.5 kW)	256300
1	Switchgear ZPS1-SD (7.5 kW)	215402
(1)	Switchgear ZPS2 (3.0/4.0/5.5 kW)	255400
(1)	Switchgear ZPS2-SD (7.5 kW)	215403
1 (1)	Small compressor set	71035

Spare parts list, pump

Item	Quantity	Designation	Article No.
1	1 (2)	Pump housing SANICUBIC® SC 3.0 and 4.0	ZE1384
	1 (2)	Pump housing SANICUBIC® SC 5.5 and 7.5	ZE1138
2	1 (2)	Cover QSHE/101 SANICUBIC® SC 3.0 and 4.0	ZE1129
	1 (2)	Cover QSHE/100Z-3 SANICUBIC® SC 5.5 and 7.5	120141
3	1 (2)	Reception flange plate	200,005
4	1 (2)	Flat seal 340 x 105 x 3	ZE1566
5	8 (16)	Hexagon screw M10x25	117724
6	1 (2)	Seal carrier GG SANICUBIC® SC 3.0 und 4.0	145015
	1 (2)	Seal carrier GG SANICUBIC® SC 5.5 und 7.5	145023
7	1 (2)	Mechanical seal 3.0 and 4.0 kW	279950
	1 (2)	Chilled casting seal 5.5 and 7.5 kW	80115
8	1 (2)	O-ring 50 x 3	80114
9	1 (2)	Impeller cap SANICUBIC® SC 3.0 and 4.0	120127
	1 (2)	Impeller cap SANICUBIC® SC 5.5 and 7.5	120143
10	1 (2)	Hexagon screw M 10 x 30	ZE1237
	1 (2)	Sealing disc Cu 10 x 20 x 2.0 mm	145013
12	1 (2)	O-ring 190 x 3	60107
13	8 (16)	Hexagon screw M 10 x 30 SANICUBIC® SC 3.0 and 4.0	ZE1237
	8 (16)	Hexagon screw M 12 x 30 SANICUBIC® SC 5.5 and 7.5	ZE1516
15	1 (2)	Motor unit 3.0 kW with impeller	111103
	1 (2)	Motor unit 4.0 kW with impeller	111104
	1 (2)	Motor unit 5.5 kW with impeller	111107
	1 (2)	Motor unit 7.5 kW with impeller	111108
16	4 (8)	Hexagon screw M 12 x 25	ZE1130
	4 (8)	Spring washer B 12	ZE1302
17	1 (2)	Impeller D=200 mm, 3.0 kW	120134c
	1 (2)	Impeller D=220 mm, 4.0 kW	120134e
	1 (2)	Impeller D=230 mm, 5.5 kW	120142a
	1 (2)	Impeller D=250 mm, 7.5 kW	120142b
18	1 (2)	Angle grommet R 3/8"	117031
19	2 (4)	Hose clamp	ZE1582
20	1 (2)	Venting hose	117030
23	8 (16)	Hexagon nut M 12	ZE1382
	8 (16)	Spring washer B 12	ZE1302
24	1 (2)	Flat seal DN 100	ZE1121
25	1 (2)	Oil filling 0.8 l, SANICUBIC® SC 3.0 and 4.0	14009
	1 (2)	Oil filling 1.0 l, SANICUBIC® SC 5.5 and 7.5	14009
26	1 (2)	Oil filling screw 3/8" thread	140025
	1 (2)	Seal ring 17 x 22 x 1.5 mm, Cu	140030
27	4 (8)	Hexagon socket screw M 16 x 30	ZE1647
28	1 (2)	O-Ring 236 x 3 SANICUBIC® SC 3.0 and 4.0	120131
	1 (2)	O-Ring 270 x 3 SANICUBIC® SC 5.5 and 7.5	120139

FRANCE**SOCIÉTÉ FRANÇAISE
D'ASSAINISSEMENT**

41 Bis, Avenue Bosquet - 75007 Paris
Tél. + 33 1 44 82 39 00

UNITED KINGDOM**SANIFLO Ltd.,**

Howard House, The Runway
South Ruislip Middx.,
HA4 6SE
Tel. +44 208 842 0033
Fax +44 208 842 1671

IRELAND**SANIRISH Ltd**

IDA Industrial Estate
Edenderry - County Offaly
Tel. + 353 46 9733 102
Fax + 353 46 97 33 093

AUSTRALIA**Saniflo (Australasia) Pty Ltd**

Unit 9-10, 25 Gibbes Street
Chatswood
NSW 2067
Tel. +61 298 826 200
Fax +61 298 826 950

DEUTSCHLAND**SFA SANIBROY GmbH**

Waldstr. 23 Geb. B5
63128 Dietzenbach
Tel. (060 74) 30928-0
Fax (060 74) 30928-90

ITALIA**SFA ITALIA spa**

Via del Benessere, 9
27010 Siziano (PV)
Tel. 03 82 61 81
Fax 03 82 61 8200

KOREA

www.sfa.biz
sales@saniflo-korea.kr

ESPAÑA**SFA SI**

C/ del Sant Crist, 21
P.I. Pla d'En Boet
08302 Mataró - Barcelona
Tel. +34 93 544 60 76
Fax +34 93 462 18 96

PORTUGAL**SFA, Lda.**

Sintra Business Park, ed. 01-1°P2710-089
SINTRA
Tel. +35 21 911 27 85
Fax. +35 21 957 70 00

SUISSE SCHWEIZ SVIZZERA**SFA SANIBROY AG**

Vorstadt 4
3380 Wangen a.A
Tel: +41 (0)32 631 04 74
Fax: +41 (0)32 631 04 75

BENELUX**SFA BENELUX B.V.**

Industrieweg 1c-d
6101 WS Echt (NL)
Tel. +31 475 487100
Fax +31 475 486515

SVERIGE**SANIFLO AB**

BOX 797
S-191 27 Sollentuna
Tel. +08-404 15 30
info@saniflo.se

POLSKA**SFA POLAND Sp. z O.O.**

ul. Białołęcka 168
03-253 Warszawa
Tel. (+4822) 732 00 32
Fax (+4822) 751 35 16

РОССИЯ**ООО «СФА Рус»**

101000
Россия, Москва
Колпачный переулок 9А
Тел. (495) 258-29-51
факс (495) 258-29-51

ČESKÁ REPUBLIKA

SFA-SANIBROY, spol. s r.o
Sokolovská 445/212, 180 00 Praha 8
Tel : +420 266 712 855
Fax : +420 266 712 856

ROMANIA**SFA SANIFLO S.R.L.**

145B Foisorului Street District 3
31177 BUCURESTI
Tel. +40 787 634 557
info@saniflo.ro

TÜRKIYE**SFA SANIHYDRO LTD ŞTİ**

Mecidiye Cad No:36-B Sevencan Apt.
34394 MECIDIYEKOY - ISTANBUL
Tel : +90 212 275 30 88

CHINA**SFA 中国**

上海市静安区石门二路333弄3号振安广
场恒安大厦27C室 (200041)
Tel. +86(0)21 6218 8969
Fax +86(0)21 6218 8970

BRAZIL**SFA Brasil Equipamentos Sanitários**

Rua Maria Figueiredo 595,
CEP : 04002-003 São Paulo, SP
Tel : (11) 3052-2292
sanitrit@sanitrit.com.br
www.sanitrit.com.br

SOUTH AFRICA**Saniflo Africa (PTY) Ltd**

Unit A6 , Spearhead Business Park
Cnr. Freedom Way & Montague Drive
Montague Gardens, 7441
Tél : +27 (0) 21 286 00 28
info@saniflo.co.za
www.saniflo.co.za

NEW ZEALAND**Saniflo New Zealand Ltd**

PO Box 383 Royal Oak,
Auckland 1345
Tel : 09 390 4615
Fax : +61 2 9882 6950

SERVICE HELPLINES**France**

Tel. 01 44 82 25 55
Fax. 03 44 94 46 19

United Kingdom

Tel. 08457 650011
(Call from a land line)
Fax. 020 8842 1671

Ireland

Tel. 1850 23 24 25
(LOW CALL)
Fax. + 353 46 97 33 093

Australia

Tel. +1300 554 779
Fax. +61.2.9882.6950

Deutschland

Tel. 0800 82 27 82 0
Fax. (060 74) 30928-90

Italia

Tel. 0382 6181
Fax. +39 0382 618200

España

Tel. +34 93 544 60 76
Fax. +34 93 462 18 96

Portugal

Tel. +35 21 911 27 85
Fax. +35 21 957 70 00

Suisse Schweiz Svizzera

Tel. +41 (0)32 631 04 74
Fax. +41 (0)32 631 04 75

Benelux

Tel. +31 475 487100
Fax. +31 475 486515

Sverige

Tel. +08-404 15 30

Norge

Tel. +08-404 15 30

Polska

Tel. (+4822) 732 00 33
Fax. (+4822) 751 35 16

РОССИЯ

Tel. (495) 258 29 51
Fax. (495) 258 29 51

Česká Republika

Tel. +420 266 712 855
Fax. +420 266 712 856

România

Tel. +40 724 364 543
service@saniflo.ro

Türkiye

Tel. +90 212 275 30 88

Brazil

Tel. (11) 3052-2292

中国

Tel. +86(0)21 6218 8969
Fax. +86(0)21 6218 8970

South Africa

Tel. +27 (0) 21 286 00 28